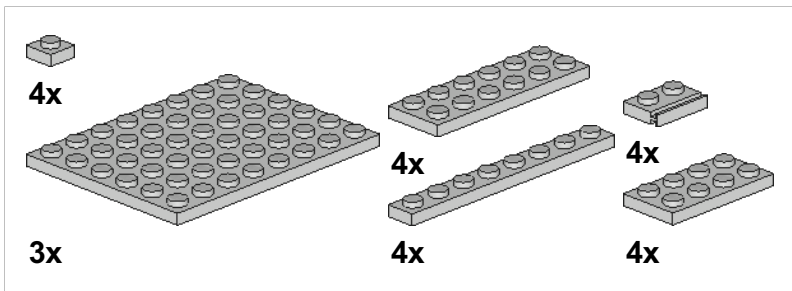
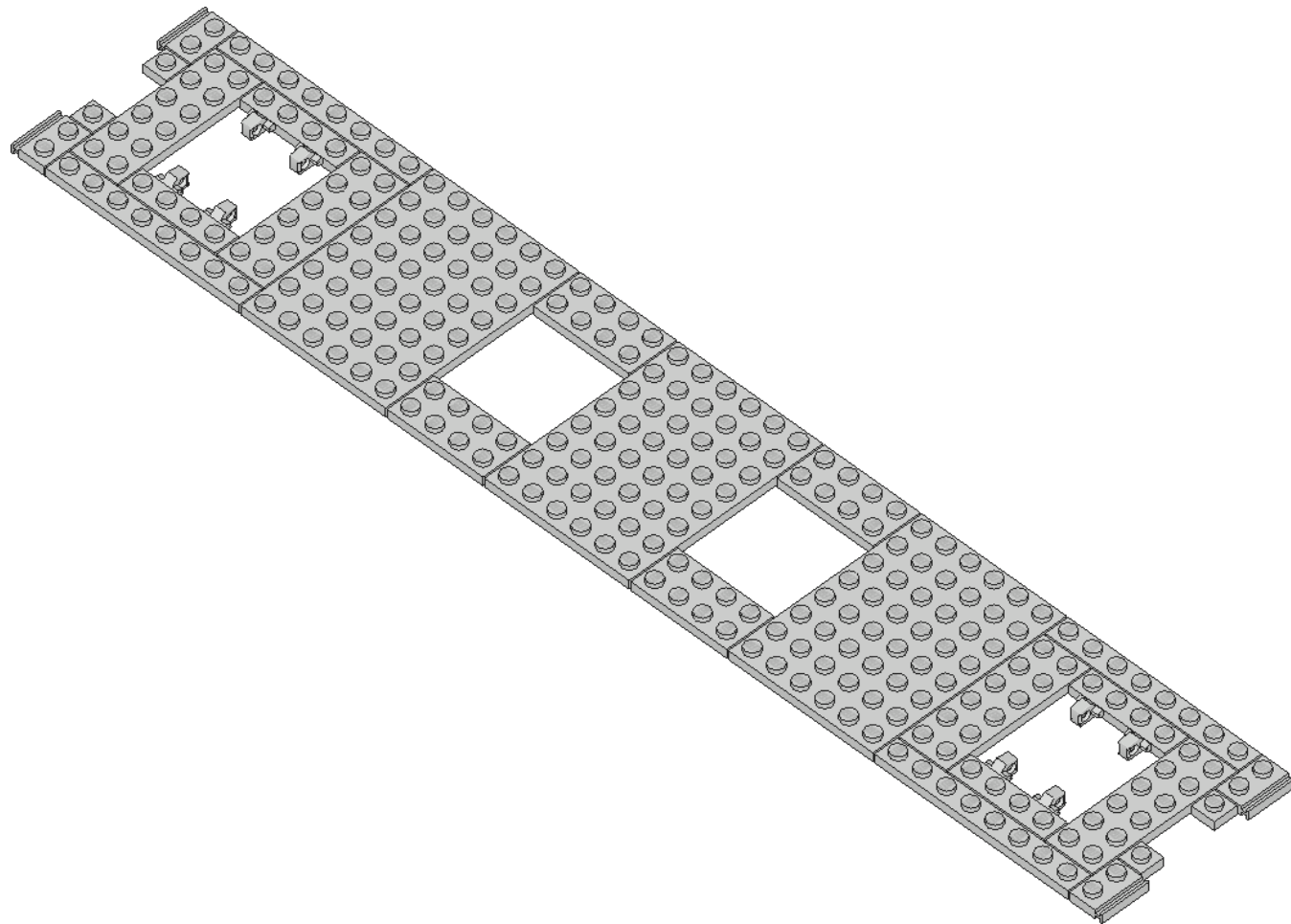
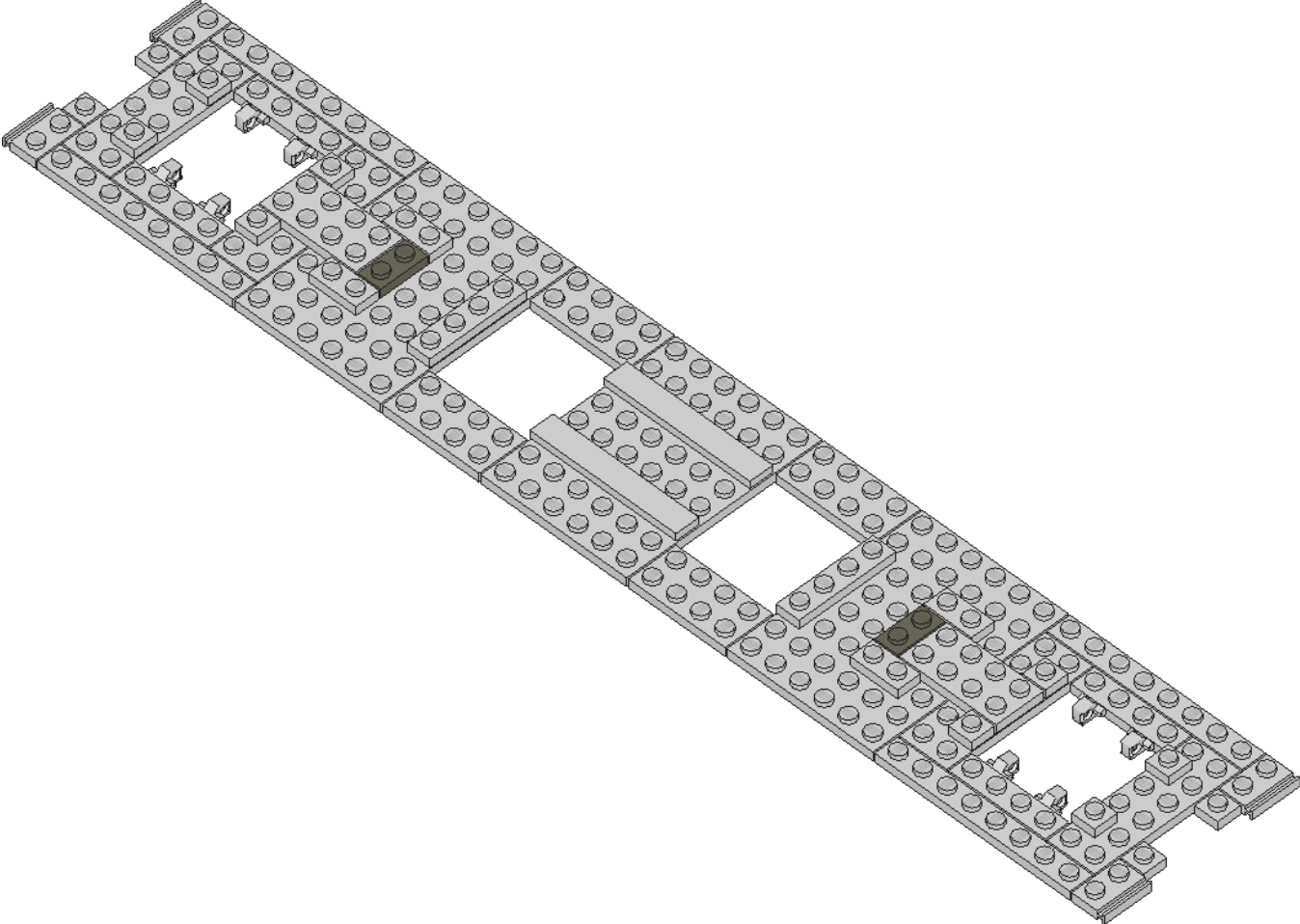
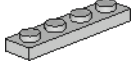
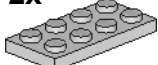





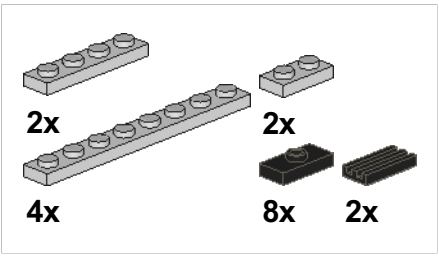
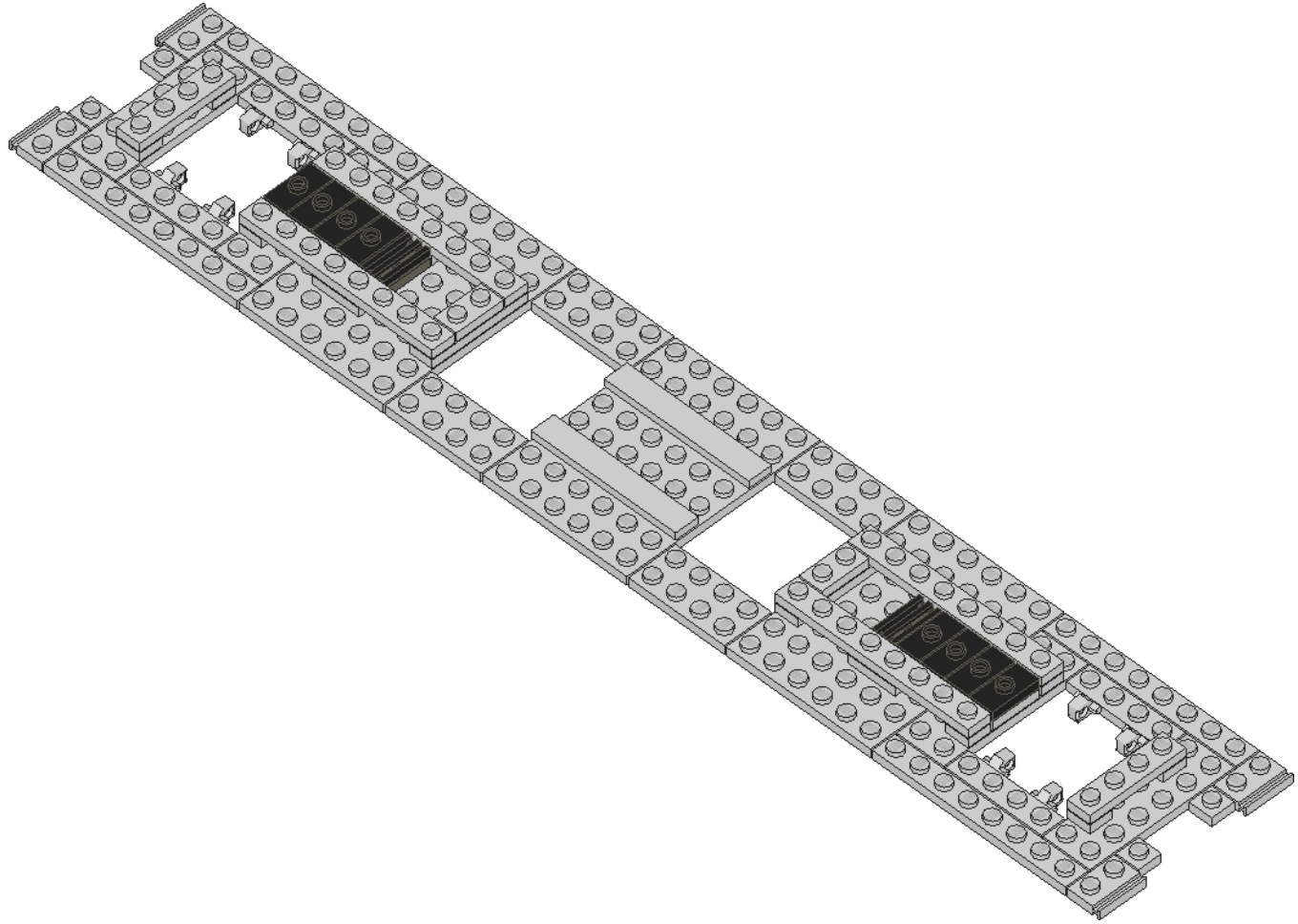


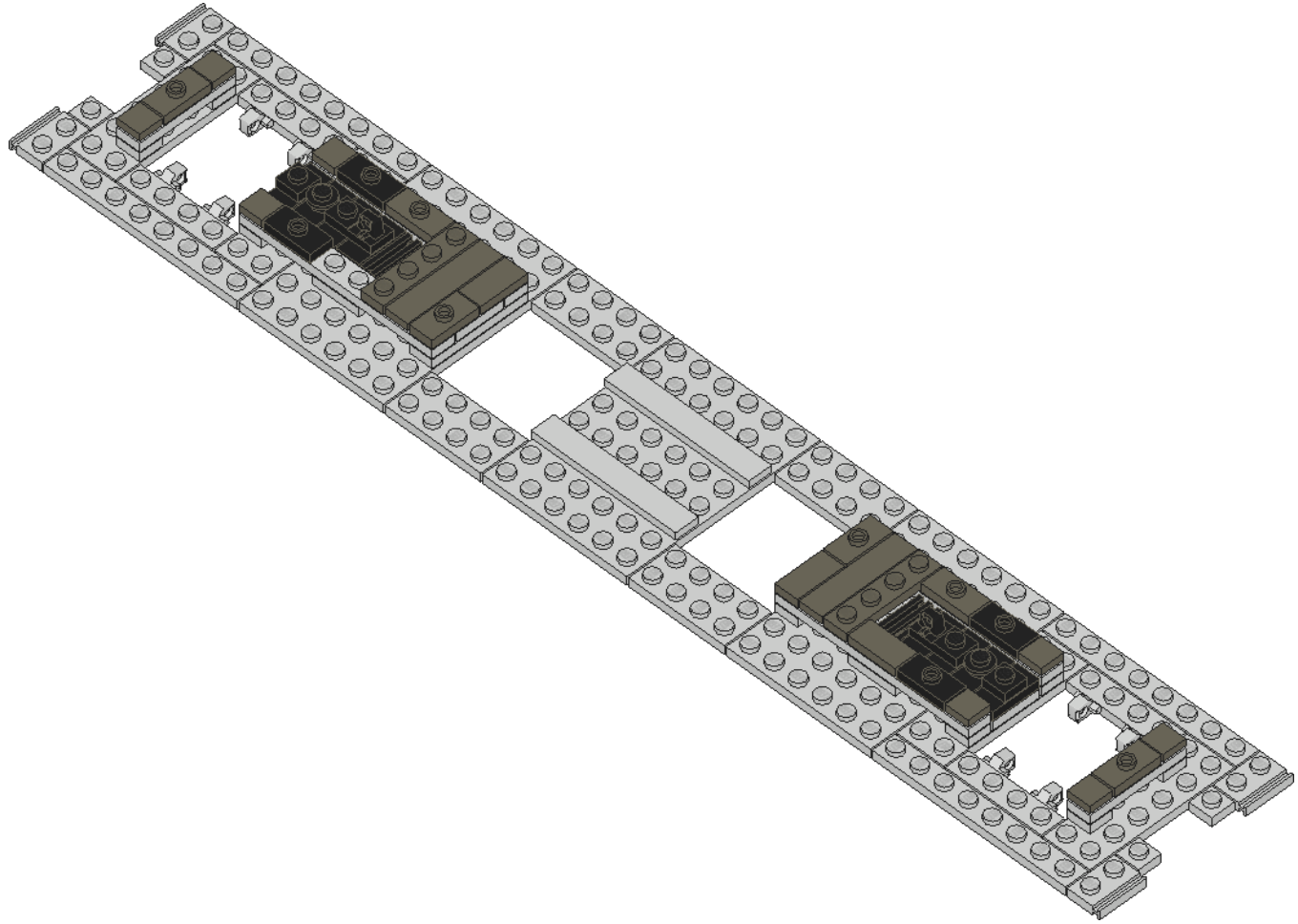
1



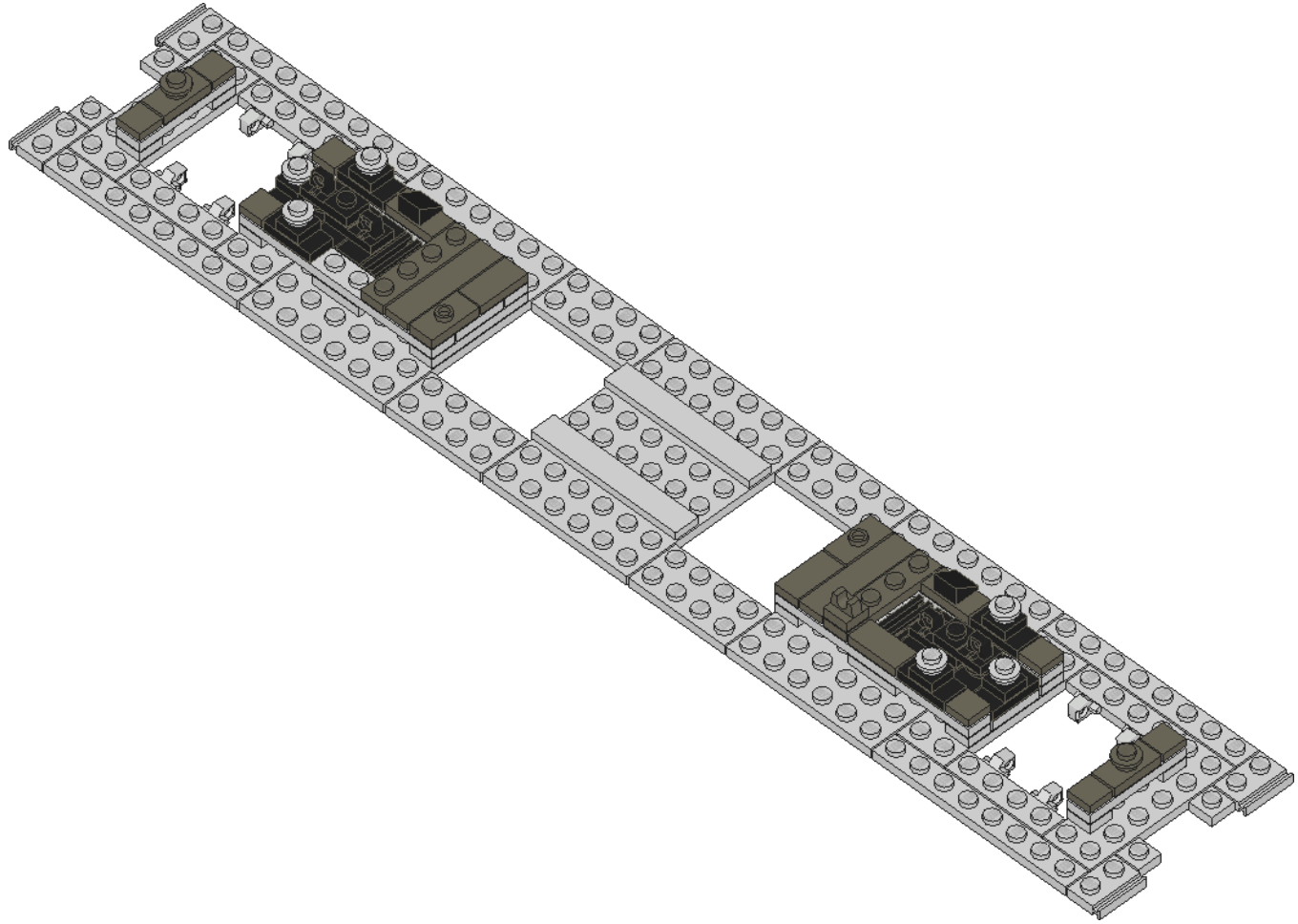


- 2x 
- 2x 
- 2x 
- 2x 
- 8x 
- 4x 
- 2x 

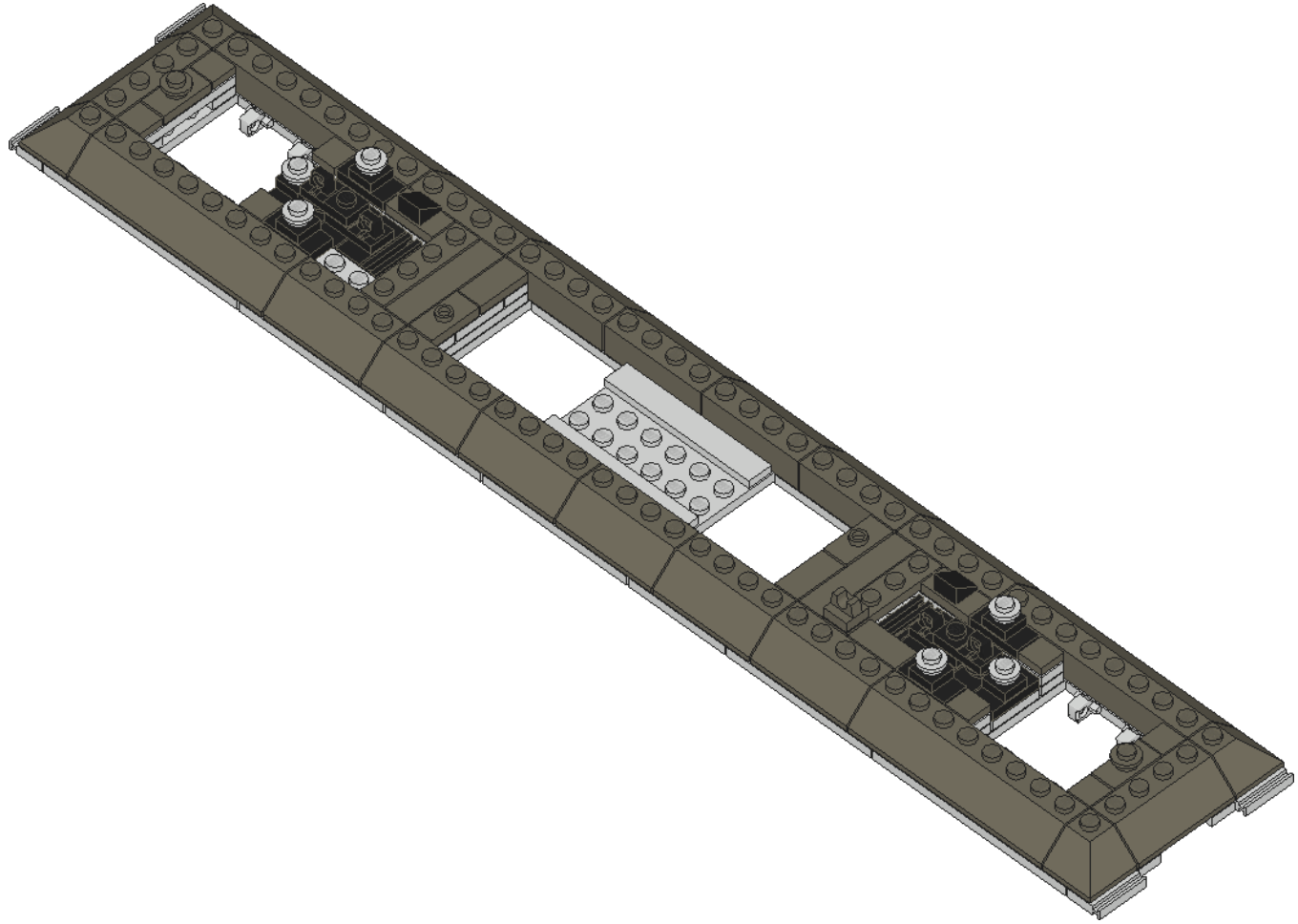




- | | | |
|----|----|----|
| | | |
| 2x | 3x | 2x |
| | | |
| 2x | 4x | 8x |
| | | |
| 2x | 6x | 2x |



- 2x
- 1x
- 4x
- 2x
- 6x

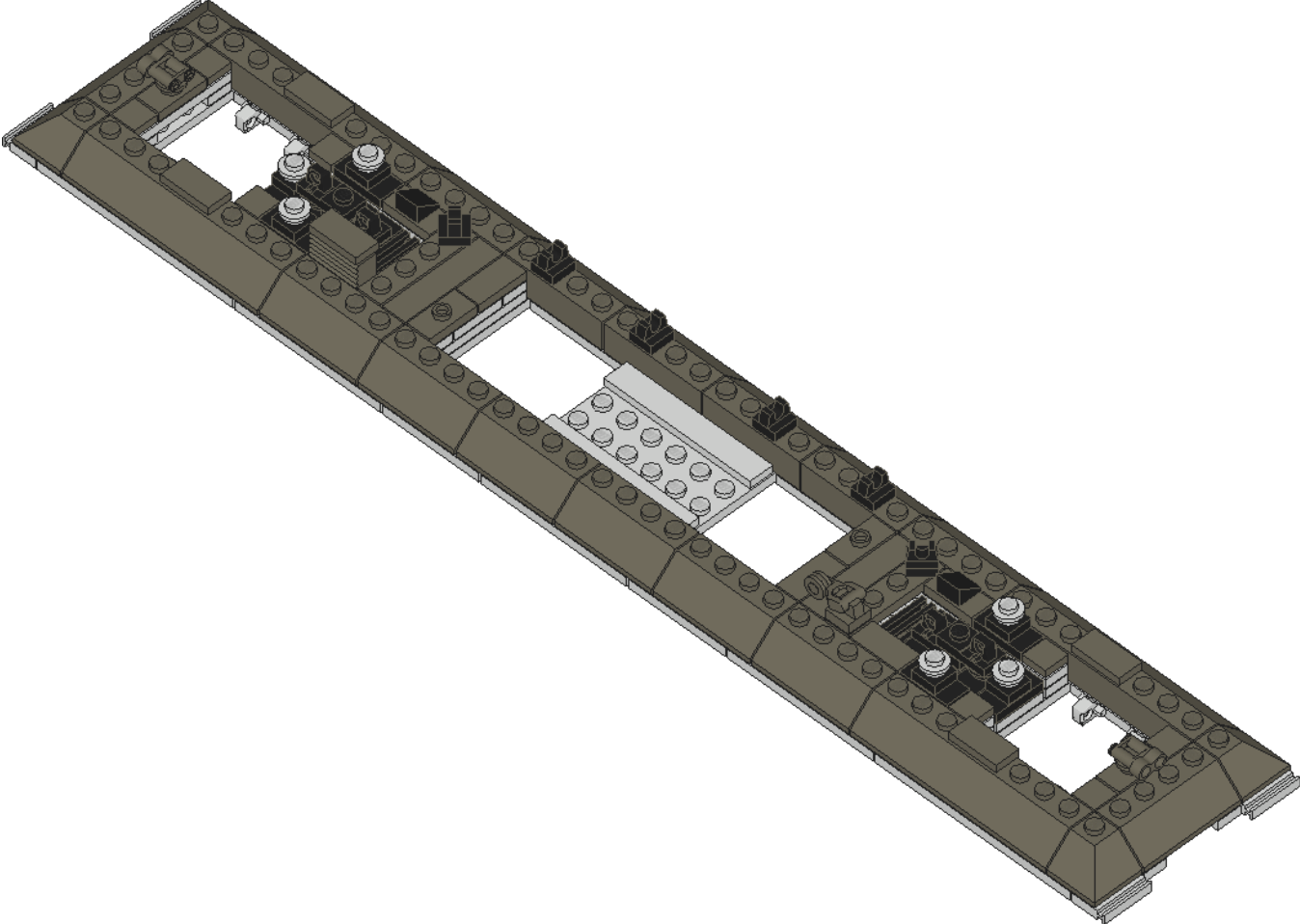






4x

14x

4x

A parts list diagram enclosed in a thin black border. It shows three types of dark grey Technic bricks. The first is a 1x2 wedge-shaped brick with a quantity of 4x. The second is a 1x4 wedge-shaped brick with a quantity of 14x. The third is a 1x6 wedge-shaped brick with a quantity of 4x.



	
1x	6x
	
5x	2x

